





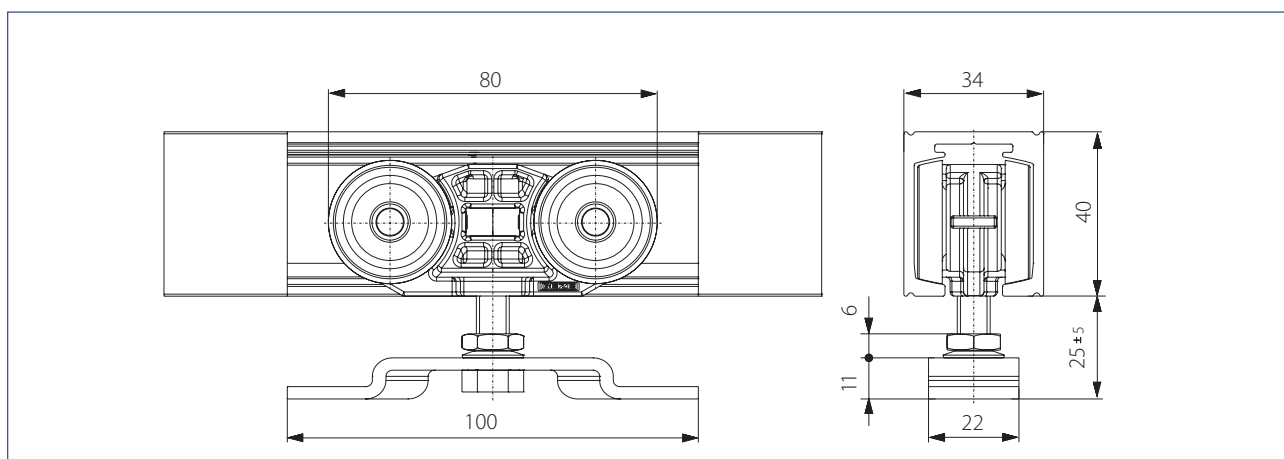
GEZE PERLAN 140

GEZE Perlan 140

The all-rounder among sliding fitting systems

The GEZE Perlan 140 is a roller-guided sliding system suitable for 1-leaf and multiple-leaf as well as for synchronous sliding door systems. The fitting technology is integrated in the track, which is 40 mm high, and can be used for leaf weights of up to 140 kg. The discreet sliding system fits in with any room design, and the comprehensive range of accessories permits numerous elegant and customised solutions for permanent use in heavily frequented living and working areas. With two precision ball bearings per roller carriage, its track design and the large carrier rollers, the Perlan 140 ensures extremely smooth running. The interior, sealed ball bearings provide corrosion protection for slightly humid interiors. The track in anodised alloy material reduces abrasion and also guarantees increased corrosion protection. Since the distance between the leaf and the wall can be selected using the wall bracket, the door can be adjusted to individual situations, e.g. for precise installation of the track where masonry is uneven. The elegant profile makes the Perlan 140 ideal for installation in visible areas. The track is also available in a curved version on request.

With the draw-in damper **GEZE Perlan 140 SoftStop** the door is gently slowed down and pulls itself automatically into the zero position. The gentle retraction into the end position is easy on the door and the fittings, thus increasing the life span of the door. The GEZE Perlan 140 SoftStop is completely concealed in the track and has a total height of only 40mm. It is available for leaf widths between 515 and 1700 mm and for leaf weights of up to 80 kg.



APPLICATION RANGE

- For wooden, metal, plastic and glass doors
- There are various additional parts available for glass leaves e.g. glass clamping plate, fixed panel holder or all-glass holder
- For all 1- or multiple-leaf and synchronous sliding doors
- For wall, ceiling and fixed panel attachment
- Smooth running and high-quality materials make it particularly well suited for doors in heavily frequented living and office spaces

TECHNICAL DATA

Product features	GEZE Perlan 140
Leaf material	Wood, plastic, metal, glass
Leaf weight (max.)	140 kg
Leaf weight (max.) with draw-in damper	80 kg
Test cycles	100,000
Corrosion protection class	2
Type of installation	Wall installation, ceiling installation
Telescope	•
Automated	•
Fixed panel	•

• = yes

Standard dimensions in mm

Leaf width (FB)	Track length (L)	Distance between drill holes (t)	Number of drill holes (n)	Distance from first drill hole (centre) to end of track (y)
500 - 840	1650	350	5	125
500 - 1040	2050	350	6	150
500 - 1240	2450	350	7	175
500 - 1440	2850	350	9	25
500 - 1640	3250	350	10	50
Stock length	6000	350	18	25

Classification in accordance with DIN EN 1527

GEZE Perlan 140								
Usage category	Duration of functional ability	Door weight	Fire resistance	Safety	Corrosion resistance	Protection	Door type	Initial friction
-	6	3	-	1	2	-	1	3

The description of the classes can be found at the end of the catalogue.

OVERVIEW OF COMPONENTS

GEZE Perlan 140 with SoftStopDuo glass leaf with glass clamping plate 30 mm and continuous cover

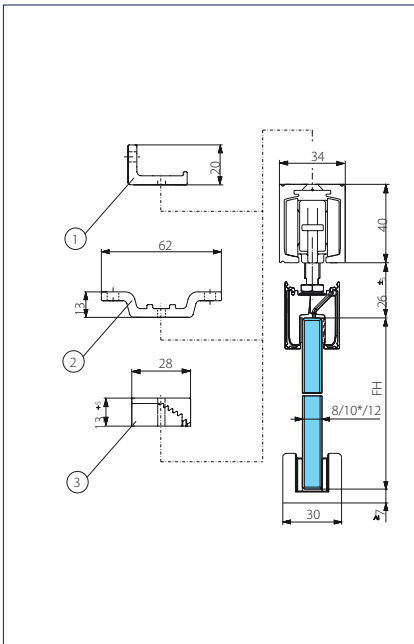


- 1 = Track Perlan 140
- 2 = End stop with trigger for Perlan SoftStop
- 3 = Perlan SoftStopDuo
- 4 = Continuous cover for glass clamping plate 30 mm

- 5 = Glass clamping plate 30 mm
- 6 = End cover Glass clamping plate 30 mm
- 7 = Glass leaf (on site)
- 8 = Floor guide for glass leaf (adjustable)

CROSS-SECTION DRAWINGS

The fitting can be attached directly to the ceiling or by means of a bracket to the wall or ceiling.



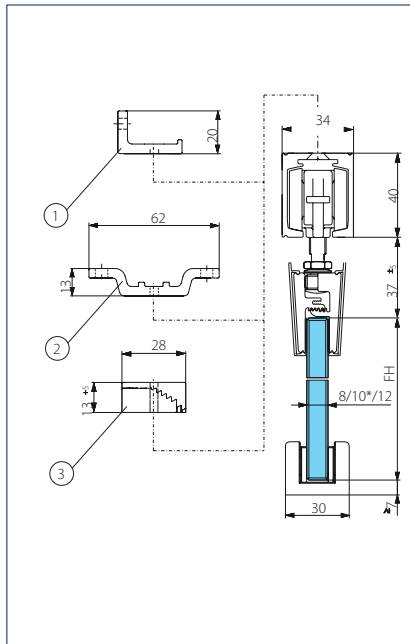
Wall / ceiling mounting glass with glass clamping plate 30 and continuous cover

FH = Leaf height

1 = Wall bracket

2 = Ceiling bracket

3 = Height compensation mechanism



Wall / ceiling mounting glass with glass clamping plate 45 and continuous cover

FH = Leaf height

1 = Wall bracket

2 = Ceiling bracket

3 = Height compensation mechanism

OVERVIEW OF COMPONENTS

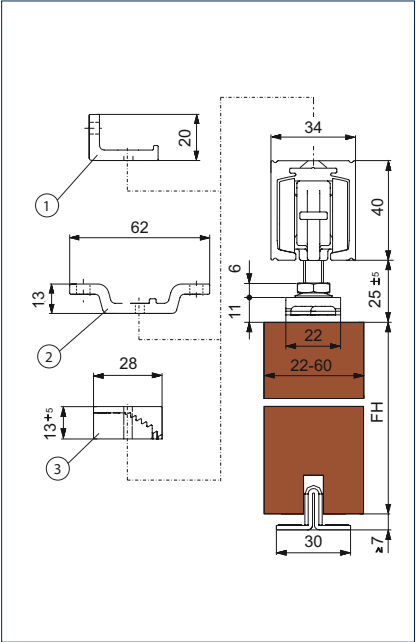
GEZE Perlan 140 wooden leaf ceiling mounting



- 1 = Track Perlan 140
- 2 = End stop Perlan 140
- 3 = Roller carriage Perlan 140
- 4 = Suspension plate Perlan 140
- 5 = Wooden leaf (on site)
- 6 = Floor guide for wooden leaf

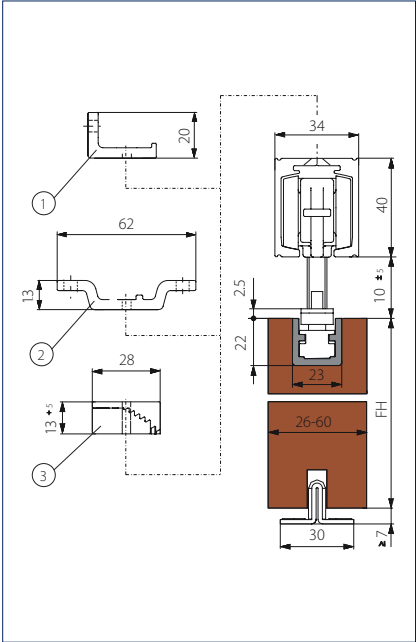
CROSS-SECTION DRAWINGS

The fitting can be attached directly to the ceiling or by means of a bracket or plate to the wall or ceiling



Wall / ceiling mounting

- FH = Leaf height
- 1 = Wall bracket
- 2 = Ceiling bracket
- 3 = Height compensation mechanism



Wall / ceiling mounting with concealed suspension profile

- FH = Leaf height
- 1 = Wall bracket
- 2 = Ceiling bracket
- 3 = Height compensation mechanism

GEZE PERLAN 140

OVERVIEW OF COMPONENTS

GEZE Perlan 140 SoftStop one-sided wooden leaf ceiling mounting concealed suspension profile



- 1 = Track Perlan 140
- 2 = End stop Perlan 140
- 3 = End stop with trigger for Perlan SoftStop
- 4 = Perlan SoftStop one-sided
- 5 = Concealed suspension profile
- 6 = Wooden leaf (on site)
- 7 = Floor guide for wooden leaf

ORDER INFORMATION PERLAN 140

Description	Leaf width from to	Length	Version	ID No.
Perlan 140 set for wooden leaves For ceiling attachment with standard suspension plate, up to 140 kg leaf weight	500 mm 840 mm	1650 mm	EV1	119353
	500 mm 1040 mm	2050 mm	EV1	119354
	500 mm 1240 mm	2450 mm	EV1	119355
	500 mm 1440 mm	2850 mm	EV1	119356
	500 mm 1640 mm	3250 mm	EV1	119357
	Perlan 140 set for wooden leaves For wall installation with suspension plate and standard wall bracket, up to 140 kg leaf weight	500 mm 840 mm	1650 mm	EV1
500 mm 1040 mm		2050 mm	EV1	119338
500 mm 1240 mm		2450 mm	EV1	119339
500 mm 1440 mm		2850 mm	EV1	119340
500 mm 1640 mm		3250 mm	EV1	119351
Perlan 140 set for glass leaves For ceiling installation with glass clamping plate 45 mm individually covered, up to 140 kg leaf weight		500 mm 840 mm	1650 mm	EV1
	500 mm 1040 mm	2050 mm	EV1	134834
	500 mm 1240 mm	2450 mm	EV1	134835
	500 mm 840 mm	1650 mm	stainless steel optic	134843
	500 mm 1040 mm	2050 mm	stainless steel optic	134844
	500 mm 1240 mm	2450 mm	stainless steel optic	134845

Description	Leaf width from to	Length	Version	ID No.
Perlan 140 set for glass leaves For wall attachment with concealed wall bracket and glass clamping plate 45 mm individually covered, up to 140 kg leaf weight	500 mm 840 mm	1650 mm	EV1	134836
	500 mm 1040 mm	2050 mm	EV1	134837
	500 mm 1240 mm	2450 mm	EV1	134839
	500 mm 840 mm	1650 mm	stainless steel optic	134846
	500 mm 1040 mm	2050 mm	stainless steel optic	134847
	500 mm 1240 mm	2450 mm	stainless steel optic	134848
	Perlan 140 set for wooden leaves For ceiling attachment with standard suspension plate and Perlan SoftStop, up to 80 kg leaf weight. Perlan SoftStop one-sided, for track 2450 mm two- sided	535 mm 1000 mm	2050 mm	EV1
860 mm 1240 mm		2450 mm	EV1	134888
Perlan 140 set for wooden leaves For wall attachment with suspension plate, standard wall bracket and Perlan SoftStop, up to 80 kg leaf weight. Perlan SoftStop one-sided, for track 2450 mm two-sided	535 mm 1000 mm	2050 mm	EV1	134891
	860 mm 1240 mm	2450 mm	EV1	134892
Perlan 140 set for glass leaves For ceiling attachment with glass clamping plate individually covered and Perlan SoftStop, up to 80 kg leaf weight. Perlan SoftStop one-sided, for track 2450 mm two-sided	575 mm 1000 mm	2050 mm	EV1	134851
	900 mm 1240 mm	2450 mm	EV1	134852
	575 mm 1000 mm	2050 mm	stainless steel optic	134857
	900 mm 1240 mm	2450 mm	stainless steel optic	134858
Perlan 140 set for glass leaves For wall attachment with concealed wall bracket, glass clamping plate individually covered and Perlan SoftStop, up to 80 kg leaf weight	575 mm 1000 mm	2050 mm	EV1	134854
	900 mm 1240 mm	2450 mm	EV1	134855
	575 mm 1000 mm	2050 mm	stainless steel optic	134860
	900 mm 1240 mm	2450 mm	stainless steel optic	134861
Accessories				
Perlan SoftStop set, short version, damped on one side, up to 80 kg The set includes: 1 x roller carriage with damping unit on one side, 2 x end stop, 1 x trigger with fixing screw, 2 x standard suspension plate	575 mm 900 mm			128876
Perlan SoftStop set, medium version, damped on one side, up to 80 kg The set includes: 1 x roller carriage with damping unit on one side, 2 x end stop, 1 x trigger with fixing screw, 2 x standard suspension plate	900 mm 1290 mm			128877
Set Perlan SoftStopDuo, damped on both sides, up to 80 kg The set includes: 1 x roller carriage with damping unit on both sides, 2 x end stop, 2 x trigger with fixing screws, 2 x standard suspension plate	750 mm 1290 mm			150071
Perlan SoftStop set, long version, damped on both sides, up to 80 kg The set includes: 1 x roller carriage with damping unit on both sides, 2 x end stop, 2 x trigger with fixing screws, 2 x standard suspension plate	1290 mm 1700 mm			128891
Accessories set basic components Perlan 140 For wall mounting, comprising: 2 x roller carriage, 2 x end stop, 2 x suspension plate, 1 x hold-open spring, 2 x suspension bolt, 2 x end cover, 1 x floor guide for wooden leaf, incl. standard wall bracket (length = usable up to track length)	500 mm 840 mm	1650 mm		119358
	500 mm 1240 mm	2450 mm		119359
Accessories set basic components Perlan 140 For ceiling mounting, comprising: 2 x roller carriage, 2 x end stop, 2 x suspen- sion plate, 1 x hold-open spring, 2 x suspension bolt, 2 x end cover, 1 x floor guide for wooden leaf	500 mm 1640 mm	3250 mm		119360
	500 mm 1640 mm			119361
Accessories set basic components Perlan 140 KS Corrosion-protected for external use, for ceiling mounting, comprising: 2 x roller carriage, 2 x end stop, 2 x suspension plate, 1 x hold-open spring, 2 x suspension bolt, 2 x end cover	500 mm 1640 mm			119510

GEZE PERLAN 140

Description	Leaf width from to	Length	Version	ID No.
Accessories set basic components Perlan 140 KS Corrosion-protected for external use, for wall mounting, comprising: 2 x roller carriage, 2 x end stop, 2 x suspension plate, 1 x hold-open spring, 2 x suspension bolt, 2 x end cover, incl. standard wall bracket (length = usable up to track length)	500 mm 840 mm	1650 mm		119507
	500 mm 1240 mm	2450 mm		119508
	500 mm 1640 mm	3250 mm		119509
Track Perlan 140 With countersunk holes (prepared for Perlan SoftStop)		1650 mm	EV1	135046
		2050 mm	EV1	135047
		2450 mm	EV1	135048
		2850 mm	EV1	142518
		3250 mm	EV1	142519
		6000 mm	EV1	128660
		1650 mm	stainless steel optic	135049
		2050 mm	stainless steel optic	135050
		2450 mm	stainless steel optic	135061
		6000 mm	stainless steel optic	128662
Track Perlan 140 With countersunk holes, bespoke (prepared for Perlan SoftStop)			EV1	128661
			stainless steel optic	128663
End cover for Perlan track			black	119649
End stop Perlan 140 (also KS) Steel parts made of stainless steel				119362
Leaf stop				000339
Hold-open spring				064242
Concealed suspension profile set 2 pcs., for milling into the wooden leaf, including suspension bolts and flat open-ended spanner for height adjustment				138015
Suspension plate Perlan 140, without attachment material				064236
Suspension plate Perlan 140 KS Corrosion-protected, for external use and in aggressive environments, without attachment material			Stainless steel	117355
Suspension bolt Perlan 140 With combination nut				063839
Suspension bolt Perlan 140 KS With combination nut			stainless steel	117357
End stop with adjustable hold-open spring				069274
Ceiling bracket Perlan 140 With fixing screw for track				119315
Wall bracket Perlan 140 KS Corrosion-protected, for external use and in aggressive environments, with sliding block and fixing screw for track				119319
Wall bracket Perlan 140 With sliding block and fixing screw for track				119318
Floor guide for wooden leaf standard Without attachment material			galvanised	002191
Floor guide for glass leaf (stainless steel) For 8, 10, 12 mm glass			stainless steel	134990
Floor guide for glass leaf (adjustable) With variable adjustment for glass thickness 8-13.5 mm, with frieze band for noise reduction with structured glass surfaces, without attachment material			silver-coloured	120417
			stainless steel optic	148019
			according to RAL	149657
Buffer for continuous floor guide				124655
Buffer for continuous glass floor guide				124656

Description	Leaf width from to	Length	Version	ID No.
Height compensation mechanism /ceiling spacer set, with variable adjustment 6 pcs., height compensation mechanism with variable adjustment from 13 mm to 18 mm. For use for ceiling mounting using clip-on cover 100/145 as well as for general use on uneven ceilings				138099
Recessed handle, 8-12 mm glass Closed, outer diameter 60 mm, glass drill hole 40 mm			stainless steel	138670
Recessed handle, 15-80 mm wood Outer diameter 60 mm, specify leaf thickness when ordering			stainless steel	127614
Door handle rod, bespoke			stainless steel	127616



Track



Perlan roller carriage



Perlan SoftStop One-sided



Perlan SoftStop Duo



Perlan SoftStop on both
sides



End cover for Perlan track



End stop



End stop with adjustable
hold-open spring



Concealed suspension
profile



Suspension plate



Suspension bolt



End stop with adjustable
hold-open spring



Ceiling bracket



Wall bracket



Floor guide for wooden
leaf



Floor guide for glass leaf
Stainless steel



Floor guide for glass leaf
adjustable



Height compensation
mechanism



Recessed handle glass
closed



Stainless steel door handle
rod